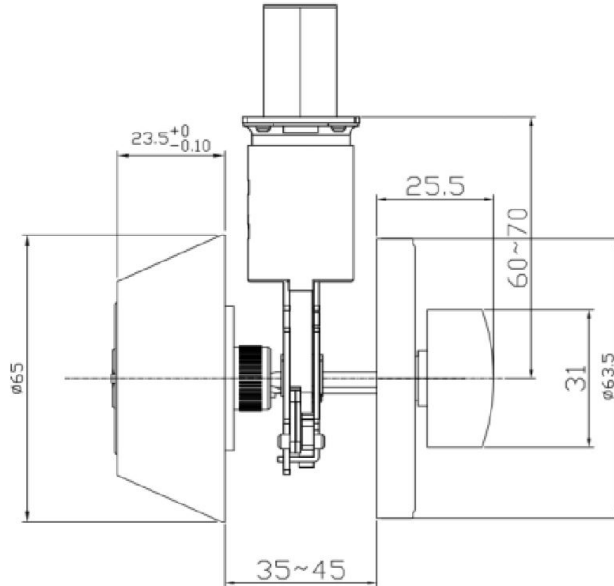


Single Cylinder Deadbolt Satin Nickel



SPECIFICATIONS

MATERIAL CONSTRUCTION:	Zinc	KEYWAY:	KW
LOCK FUNCTION:	Deadbolt	REMOVABLE CORE:	No
DEADBOLT FUNCTION:	Single Cylinder	LATCH FACEPLATE I:	Universal (Drive In)
EXTERIOR MAX PROJECTION:	1.06"	LATCH BACKSET:	Adj; 2-3/8" - 2-3/4"
INTERIOR MAX PROJECTION:	0.98"	LATCH TYPE:	6 Way / Universal / Drive-in
KOB VS. LEVER:	N/A	LATCHBOLT THROW DISTANCE:	1"
KNOB DIMENSIONS:	N/A	# PINS IN CYLINDER:	5
LEVER LENGTH:	N/A	ANTI-BUMP PIN INSTALLED:	Yes
ROSE DIMENSIONS:	2.56" H x 2.56" W x 2.56" D	# KEYS INCLUDED:	2
ROSETTE / ESCUTCHEON SHAPE:	Round	SPINDLE TYPE:	Deadbolt
CROSS BORE:	2.13"	MOUNTING HARDWARE INCLUDED:	Yes
EDGE BORE:	1"	TOOLS NEEDED FOR INSTALLATION:	Phillips Screwdriver
HANDING:	Reversible	ASSEMBLED WEIGHT:	0.86 lbs.
REKEYABLE?:	Yes		

WARRANTY:	5-Year limited warranty
ANSI CERTIFICATION:	Grade 3
BHMA GRADE:	3
FIRE RATED:	No
ADA COMPLIANT:	No



TYPE: JOB: ORDER CODE: APPROVALS:
--