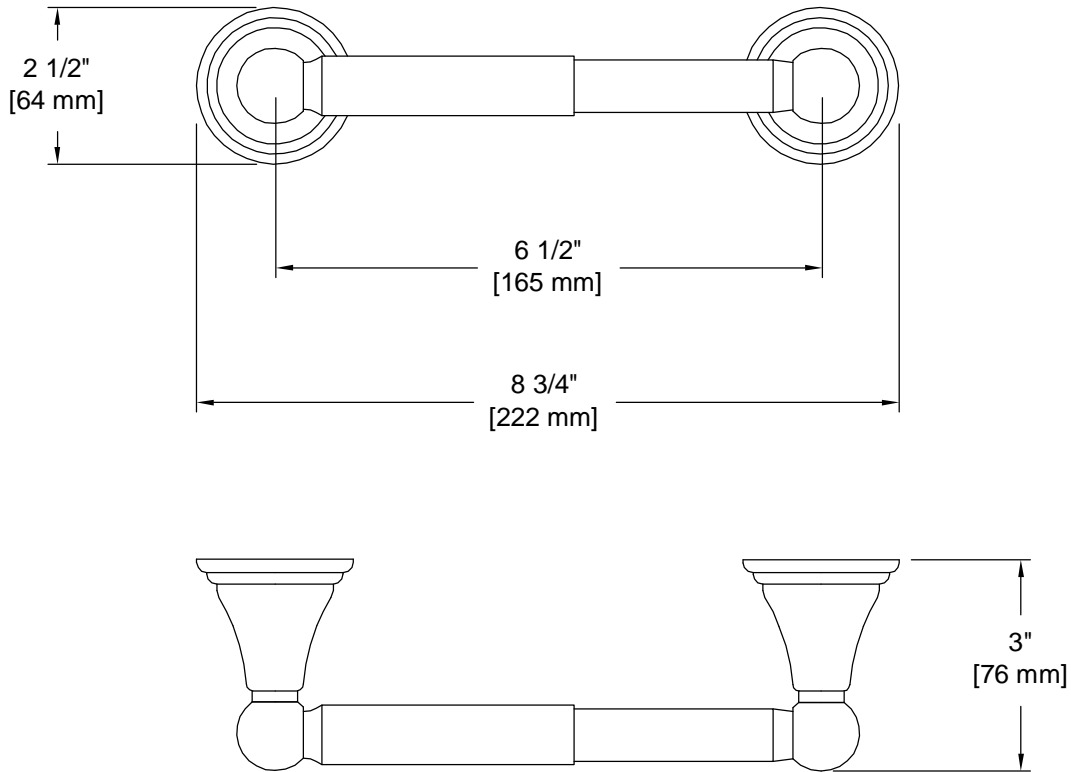


PRODUCT DATA SHEET

Product Description: Surface toilet tissue holder, Alexandria. Posts are fabricated from die cast zinc with a US15 satin nickel finish. Roller is fabricated from plastic with a US15 satin nickel finish. Ships with mounting hardware.



Overall Size: 8 3/4" W X 2 1/2" H X 3" D

Material: Zinc Posts, Plastic Roller

Finish: US15 Satin Nickel

Cross Reference

Manufacturer	Part Number



Description:

**Toilet Tissue Holder,
Surface, Alexandria**

Part Number:

15704

Date

08/16

Rev.

02

Sheet 1 of 1