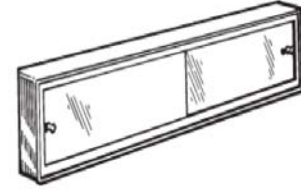


### V24 Cosmetic Box

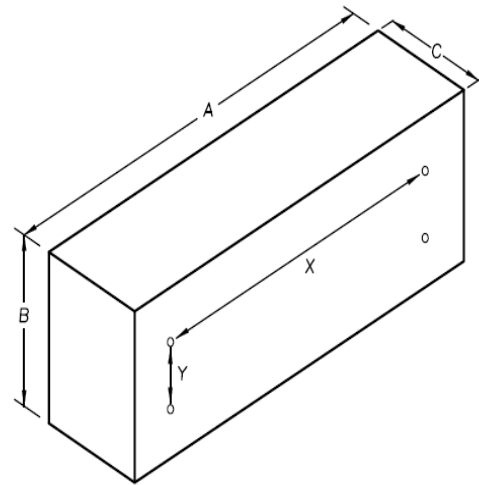


#### FEATURES/TYPICAL SPECIFICATIONS

- Surface Mount Installation
  - Pre-drilled mounting holes spacing:  $y = 5.0''$  center-to-center and  $x = 20.0''$  center-to-center
- Formed and welded steel housing construction (WB/ST)
  - 25 gauge steel with white, heat cured, acrylic paint finish
  - Exterior of housing has 25 gauge Bright Stainless Steel panels on top and both sides with a 25 gauge trim rail along the housing bottom
  - Panels and trim rail provide a Bright Stainless Steel frame around the door opening of the housing
- Sliding Mirror Doors
  - 3/32" thick float glass mirror door with polished edges on the two short sides (2 typical)
  - Mirror doors slide in plastic dual slotted tracks (2 typical / one top & one bottom) snapped into housing
  - Clear plastic door handle (2 typical)
- 26 gauge galvanized steel toothbrush holder with white, heat cured, enamel paint finish
- Mounting hardware included
- Pallet quantity = 48 units

#### Finishes:

- Housing: PT01 - Basic White  
 SS8 - Polished Stainless Steel
- Mirror Door: POL1-Polished Edge 2S
- Frame: SS8—Polished Stainless Steel formed by housing trim



		Dimensions In Inches		
Model #	Description	A	B	C
V24	COSMETIC BOX 24X9 SS8	24 $\frac{1}{4}$	8 $\frac{3}{4}$	4 $\frac{1}{4}$

REFERENCE	QTY.	REMARKS	Project
			Location
			Architect
			Engineer
			Contractor
			Submitted by <span style="float: right;">Date</span>

\* All models and material specifications are subject to change or withdrawal without notice.