



Sealed Battery Smoke Alarm with Hush™

Part Number 900-0136

Model i9010 (formerly model 0910)

LED Indicator

A flashing red indicator light with four modes of operation: Standby, alarm mode, hush mode and memory set

Test/Reset Button

One button tests the unit's circuit operation and resets memory after an alarm condition occurs

Hush™ Feature

Temporarily silences nuisance alarms. Will not allow hush to be activated unless unit is in alarm mode.

Battery Operated

No wiring needed

Sealed-In Lithium Battery

Unit will continue to operate for 10 years



Description

The Kidde i9010 is a 10-year, sealed battery, ionization, smoke alarm with Alarm Memory and Hush™ feature. The innovative design of this alarm's automatic activation is unlike any other smoke alarm. The i9010 alarm will automatically activate when it is attached to the mounting bracket; there are no pull-tabs, no switches, everything is automatic. *At the end of the alarm life, the unit will chirp, indicating the alarm is in need of replacement.* The customer can use a simple tool such as a screwdriver to deactivate the unit, stopping the low battery chirp and making it safe for disposal.

The sealed-in board-mounted battery will power the i9010 unit for its complete 10-year life. No replacement battery will ever be needed.

This alarm uses ionization sensing technology. Ionization sensing alarms may detect invisible fire particles (associated with flaming fires) sooner than photoelectric alarms. Photoelectric sensing alarms may detect visible particles (associated with smoldering fires) sooner than ionization alarms.

Kidde strongly recommends that both ionization and photoelectric smoke alarms be installed to help insure maximum detection of the various types of fire that can occur within the home

The Kidde i9010 sealed battery operated smoke alarm features a self-activation mechanism making installation simple and easy. It also features Hush™ feature allowing consumers to temporarily silence nuisance alarms and an End of Life Alert indicating it is time to replace the alarm.

At the end of the alarm's 10-year life, deactivation of the alarm is just as easy. Using a tool such as a small screwdriver, a deactivation switch removes power from the alarm and renders the battery safe for disposal. The alarm lockout feature mechanically prevents a deactivated unit from being mounted back on the mounting bracket.

Features and Benefits

- **Sealed-In Lithium Battery** – Sealed-in lithium power supply; no battery replacement required over the 10 year life of the alarm. Eliminates worry about battery removal or unauthorized deactivation of alarm.
- **Self Activation** – Alarm automatically activates when attached to the mounting bracket.
- **Alarm Memory** – Rapidly flashing LED alerts user if the alarm has sounded since the last time the test/reset button was used.
- **Hush™** – Will temporarily silence nuisance alarms and will not allow hush mode to be activated unless the unit is in alarm mode.
- **Test/Reset Button** – Tests unit's circuit operation and resets memory after an alarm condition occurs.
- **End of Life Warning** – Alarm chirps every 40-45 seconds indicating the alarm is in need of replacement.
- **Tamper Resist** – (when activated upon installation) effective in preventing someone from removing the unit from the mounting bracket.
- **LED** – A flashing red indicator light with four modes of operation: standby, alarm mode, hush mode, and memory set.



Architectural and Engineering Specifications

The smoke alarm shall be Kidde unit i9010/i9010CA or approved equal. It shall be powered by a non-replaceable lithium battery with a 10-year life. The lithium battery shall be sealed in the unit to prevent removal and/or tampering. The unit shall incorporate an ionization sensor with nominal sensitivity of 0.88%/ft (.95%/ft for unit i9010CA). The temperature operating range shall be between 40°F and 100°F (4°C and 38°C) and the humidity operating range shall be 5% - 85% relative humidity.

The smoke alarm can be installed on the surface of any wall or ceiling following the UL/Manufacturer's approved placement guidelines. The alarm shall incorporate an automatic activation feature that will activate the unit as soon as it is attached to the mounting bracket, no other steps are involved. The alarm shall provide optional tamper resistance that locks the unit to the mounting bracket and deters removal of the unit from the wall or ceiling.

The alarm shall include a test button that will simulate a fire condition and cause the unit to go into alarm. This sequence tests the unit's electronics to ensure proper operation.

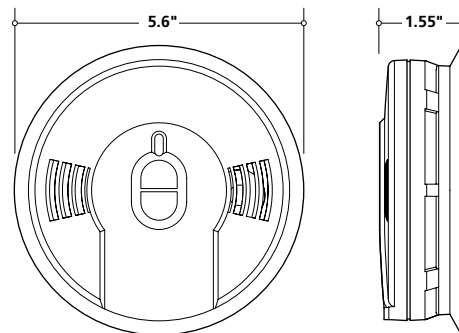
The unit shall include a piezoelectric horn that is rated at 85 decibels at 10 feet. The unit shall include the Hush™ feature that silences the unit for 7-9 minutes if a nuisance condition occurs. The red LED will illuminate for 1 seconds every 8 seconds and will automatically reset itself. If the alarm is in the Hush mode and the condition that triggered the alarm persists, the alarm shall sound again to signal potential danger despite its presence in Hush Mode. The unit shall incorporate one red LED to indicate the alarm's current status and mode of operation. The LED will indicate one of four modes:

- Standby Mode:** LED will flash every 40-45 seconds to indicate the unit is operating correctly
- Alarm Mode:** LED will flash every 1.5 seconds to indicate the unit is alarming and will be accompanied by the horn sounding (Model i9010CA LED will flash on for 1 second and off for 1 second)
- Hush Mode:** LED will illuminate for 1 seconds every 8 seconds to indicate the unit is temporarily silenced
- Memory Set Mode:** If Alarm Memory has been set, the LED will flash rapidly when the test button is pressed.

The unit shall include an End of Life Alert which indicates the alarm needs to be replaced. The unit will "chirp" once every 40-45 seconds to notify the user. The unit shall have a deactivation switch to disable it and make it safe for disposal. The unit shall at a minimum meet the requirements of UL217, NFPA72, (chapter 11 2002 edition) The State of California Fire Marshall, NFPA101 (One and two family dwellings) Federal Housing Authority (FHA), Housing and Urban Development (HUD).

Technical Specifications

Model:	i9010 (i9010CA Canadian model)
UPC Number:	0-47871-90136-4
Power Source:	One, 3V Lithium battery
Sensor:	Ionization
Audio Alarm:	85dB at 10ft
Temperature Range:	40°F (4.4°C) to 100°F (37.8°C)
Humidity Range:	5%-85% relative humidity (RH)
Size:	5.6" in diameter x 1.55" depth
Weight:	1 lb.
Interconnects:	No
LED:	Four modes of operation
Warranty:	10 year limited



Ordering Information

Clamshell UPC: 0 47871 90136 4
Gift Box: 0 47871 08697 9

Part Number	I 2 of 5	Pack Quantity	Dimensions (w x d x h inches)	Weight	Case/Skid	Skid Weight
900-0136 N/A	N/A	Individual Clamshell	7.25 x 1.75 x 11	1 lbs	N/A	N/A
900-0136 N/A	N/A	Individual Box	5.75 x 2 x 6.25	1 lbs	N/A	N/A
900-0136-003	100 47871 90136-1	PDQ (3 units)	7.75 x 6 x 11.75	3 lbs	108	972 lbs
900-0136-020	200 47871 90136-8	Master Pack (20 units)	16 x 24 x 12	20 lbs	12	240 lbs
21007387	400 47871 90136-2	4pc Tray and Lid	7.75 x 9.25 x 11.75	4 lbs	75	300 lbs
21008697	100 47871 08697-6	Gift Box, 6pc Master Pack	6 x 13 x 6.25	6 lbs	144	872 lbs



1016 Corporate Park Drive
Mebane NC 27302
1-800-880-6788
www.Kidde.com

Distributed by: