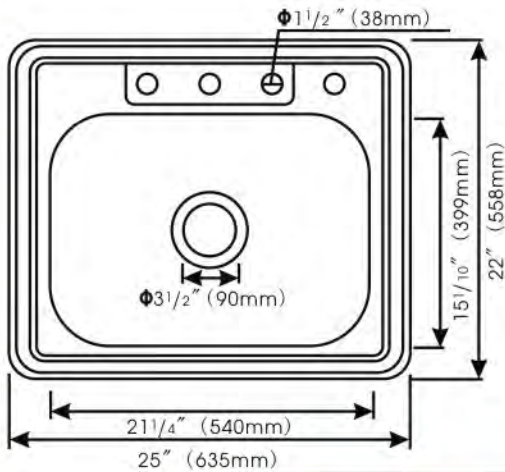


Stainless Steel Kitchen Sink

Top-Mount Single Bowl



Model	Depth	Gauge	Hole
003-525	6"	22G	4
005-634	7"	22G	4

25" x 22" Top-Mount Single Bowl

FEATURES

- * 6" Depth • 22 Gauge
- * 7" Depth • 22 Gauge
- * Lustrous Satin
- * 3 1/2" Drain Opening
- * Heavy Duty Sound Deadening Pads Plus Fully Coating Underneath
- * Supplied With Fasteners And Instructions
- * Cutout Template (DXF File Available)
- * Lifetime Limited Warranty

Optional Accessories :



ABS Strainer



Metal Strainer

Project / Job Name			
Architect / Engineer			
Contractor			
Model		Qty	
Notes :			