

## **8" Single Handle Kitchen Faucet**

# Product Spec Sheet



### **FEATURES & BENEFITS**

- This Product Contains Less Than 0.25% Weighted Average Lead Content On Wetted Surfaces
- Metal Lever Handle
- Stainless Steel Ball Valve
- With Black Side Spray
- Max Flow Rate 2.2 GPM(8.4LPM) at 60 PSI (ASME.A112.18.1)

VE-140C  
Chrome Finish

VE-100C  
Less Side Spray  
Chrome Finish

#### **APPROVALS:**

**Meets or Exceeds The Following:**

- \* ANSI/ASME A112.18.1
- \* ANSI/NSF 61 – Sec. 9
- \* IAPMO/UPC
- \* CA AB1953



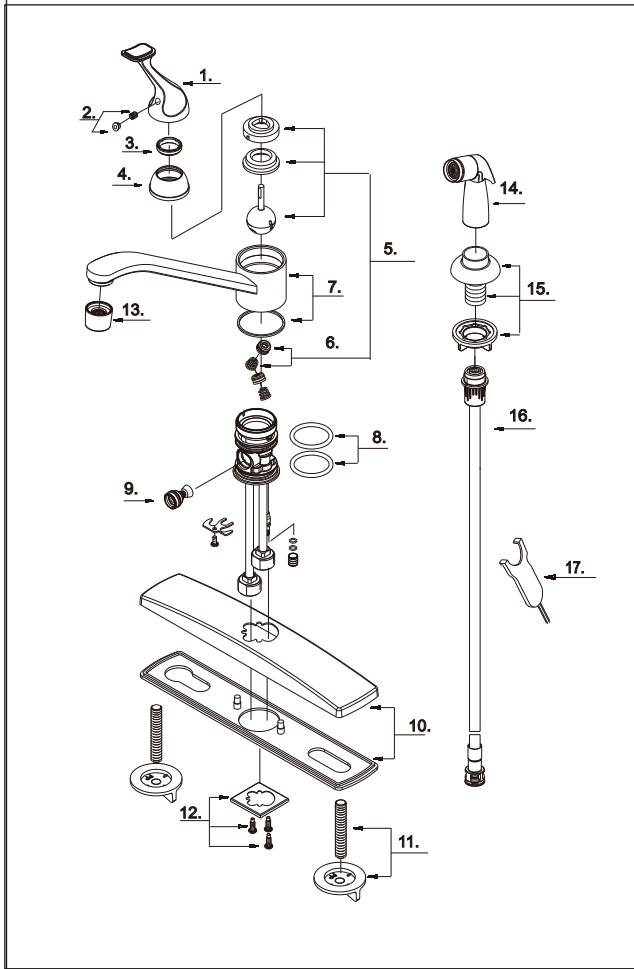
**CALIFORNIA:**  
**TEXAS:**  
**NEW YORK:**

**TEL: 866-532-8306**  
**TEL: 800-935-5456**  
**TEL: 800-431-2082**

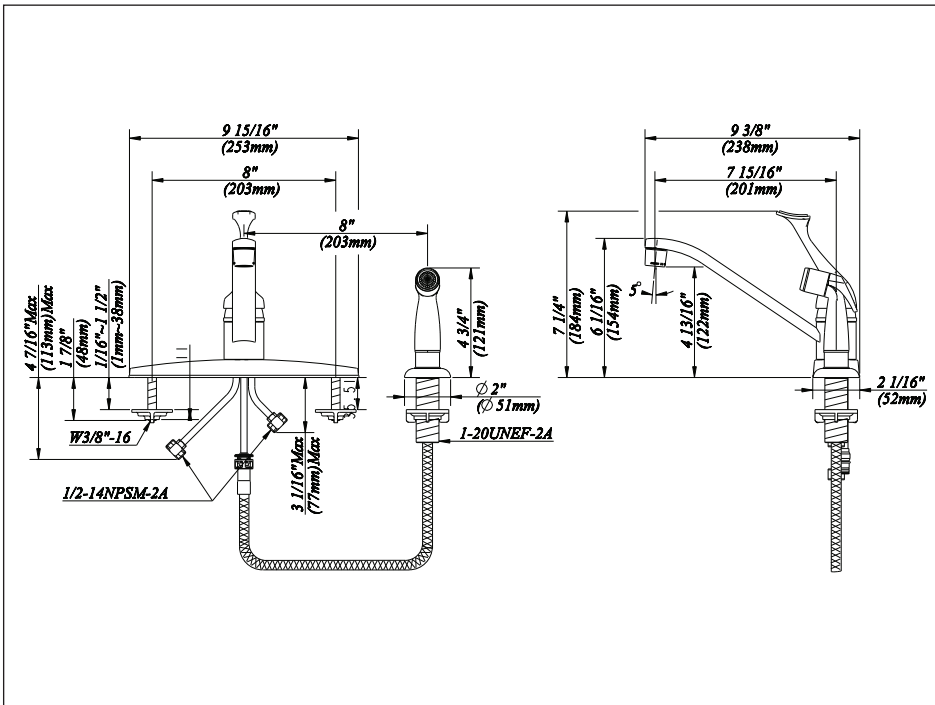
**FAX: 866-532-8307**  
**FAX: 800-683-4247**  
**FAX: 800-640-2252**

# 8" Single Handle Kitchen Faucet

No.	Name	Material
1	Metal Handle	Zinc Alloy
2	Index Button-Cold/Hot	Plastic
3	Locking Nut	Brass
4	Trim Cap	Zinc Alloy
5	Ball Valve Assembly	Stainless Steel
6	Seat & Spring Set	Stainless Steel & Plastic
7	Spout Set	#A66D589NCP
8	O-Ring Set (1-1/4" ID * 1-1/2" OD)	Rubber
9	Spray Diverter w/Vacuum Breaker	Plastic
10	Cover Plate & Putty Plate	Stainless Steel & Plastic
11	Mounting Hardware	Plastic
12	Base Mounting Hardware	Stainless Steel
13	Aerator	Plastic & Brass
14	Side Spray	Plastic
15	Spray Holder Assembly (2-1/2" L)	Plastic
16	Spray Hose	Plastic
17	Wrench	Stainless Steel



**Product Spec Sheet**



**APPROVALS:**

Meets or Exceeds The Following:

- \* ANSI/ASME A112.18.1
- \* ANSI/NSF 61 – Sec. 9
- \* IAPMO/UPC
- \* CA AB1953

**CALIFORNIA:** TEL: 866-532-8306 FAX: 866-532-8307  
**TEXAS:** TEL: 800-935-5456 FAX: 800-683-4247  
**NEW YORK:** TEL: 800-431-2082 FAX: 800-640-2252