

8" Single Handle Kitchen Faucet

Product Spec Sheet



FEATURES & BENEFITS

- This Product Contains Less Than 0.25% Weighted Average Lead Content On Wetted Surfaces
- Metal Lever Handle
- Stainless Steel Ball Valve
- With Black Side Spray
- Max Flow Rate 2.2 GPM(8.4LPM) at 60 PSI (ASME.A112.18.1)

VE-140C
Chrome Finish

VE-100C
Less Side Spray
Chrome Finish

APPROVALS:

Meets or Exceeds The Following:

- * ANSI/ASME A112.18.1
- * ANSI/NSF 61 – Sec. 9
- * IAPMO/UPC
- * CA AB1953



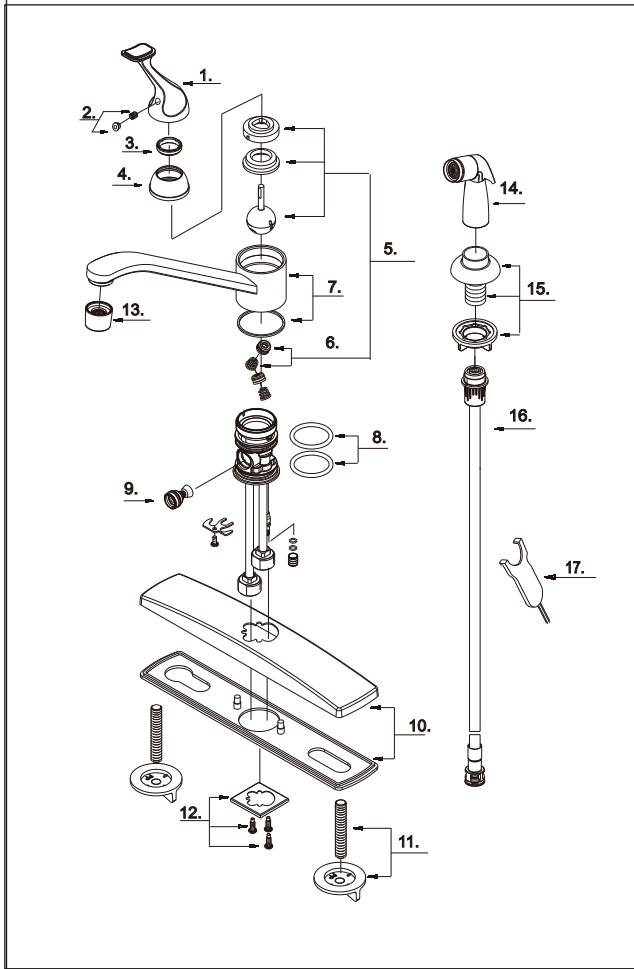
CALIFORNIA:
TEXAS:
NEW YORK:

TEL: 866-532-8306
TEL: 800-935-5456
TEL: 800-431-2082

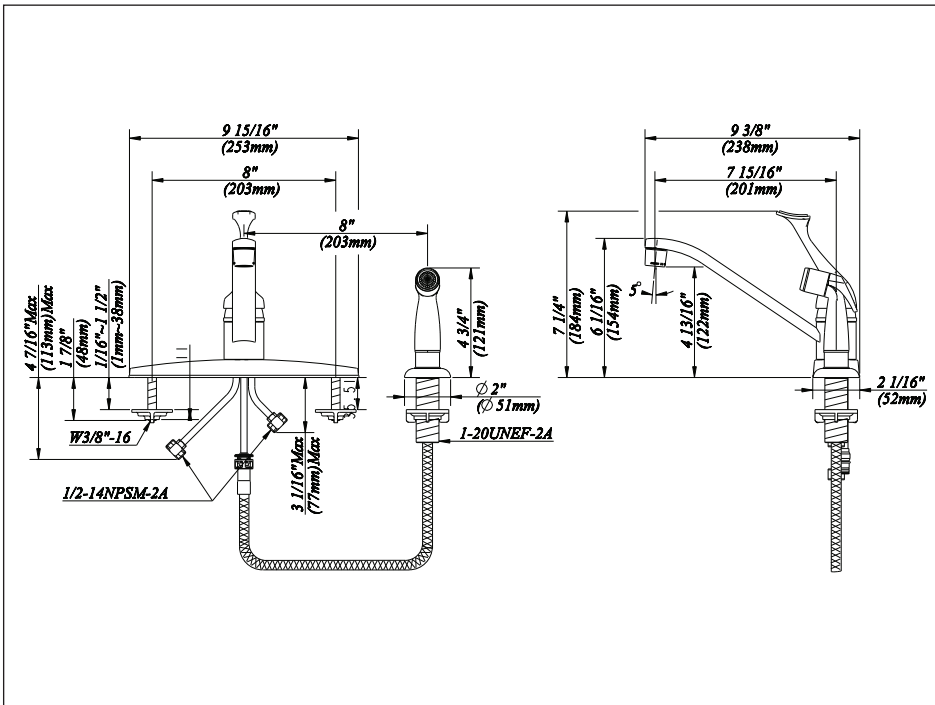
FAX: 866-532-8307
FAX: 800-683-4247
FAX: 800-640-2252

8" Single Handle Kitchen Faucet

| No. | Name | Material |
|-----|------------------------------------|---------------------------|
| 1 | Metal Handle | Zinc Alloy |
| 2 | Index Button-Cold/Hot | Plastic |
| 3 | Locking Nut | Brass |
| 4 | Trim Cap | Zinc Alloy |
| 5 | Ball Valve Assembly | Stainless Steel |
| 6 | Seat & Spring Set | Stainless Steel & Plastic |
| 7 | Spout Set | #A66D589NCP |
| 8 | O-Ring Set (1-1/4" ID * 1-1/2" OD) | Rubber |
| 9 | Spray Diverter w/Vacuum Breaker | Plastic |
| 10 | Cover Plate & Putty Plate | Stainless Steel & Plastic |
| 11 | Mounting Hardware | Plastic |
| 12 | Base Mounting Hardware | Stainless Steel |
| 13 | Aerator | Plastic & Brass |
| 14 | Side Spray | Plastic |
| 15 | Spray Holder Assembly (2-1/2" L) | Plastic |
| 16 | Spray Hose | Plastic |
| 17 | Wrench | Stainless Steel |



Product Spec Sheet



APPROVALS:

Meets or Exceeds The Following:

- * ANSI/ASME A112.18.1
- * ANSI/NSF 61 – Sec. 9
- * IAPMO/UPC
- * CA AB1953

CALIFORNIA: TEL: 866-532-8306 FAX: 866-532-8307
TEXAS: TEL: 800-935-5456 FAX: 800-683-4247
NEW YORK: TEL: 800-431-2082 FAX: 800-640-2252