

□ **VE-400C**



4" Two Handle Lavatory Faucet



FEATURES & BENEFITS

- This Product Contains Less Than 0.25% Weighted Average Lead Content On Wetted Surfaces
- Metal Round Handles
- Washerless Cartridges
- Max Flow Rate 1.5 GPM(5.7 LPM) at 60 PSI (ASME.A112.18.1)

VE-400C
Chrome Finish

APPROVALS: Meets or Exceeds The Following:

- * ANSI/ASME A112.18.1
- * ANSI/NSF 61 – Sec. 9
- * IAPMO/UPC
- * CA AB1953



CALIFORNIA:
TEXAS:
NEW YORK:

TEL: 866-532-8306
TEL: 800-935-5456
TEL: 800-431-2082

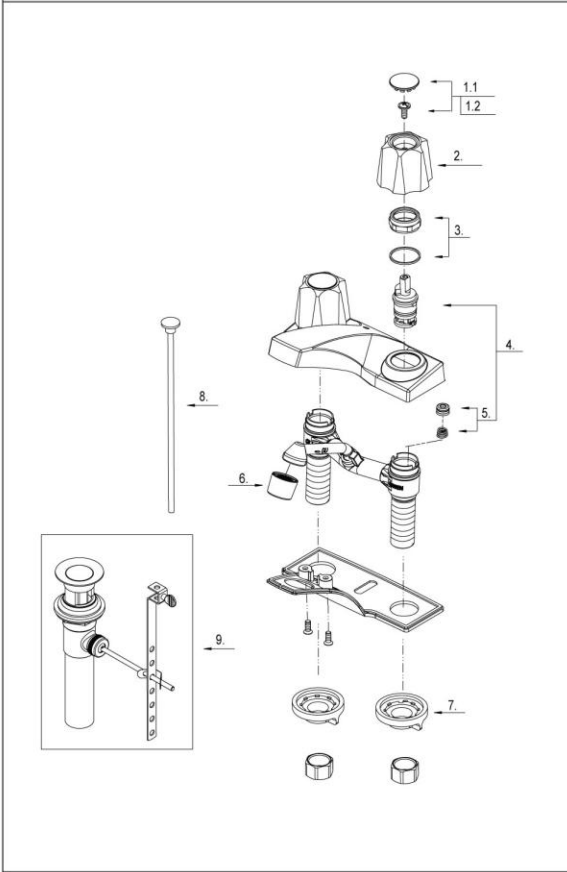
FAX: 866-532-8307
FAX: 800-683-4247
FAX: 800-640-2252

Visit Our Web Site : www.matco-norca.com

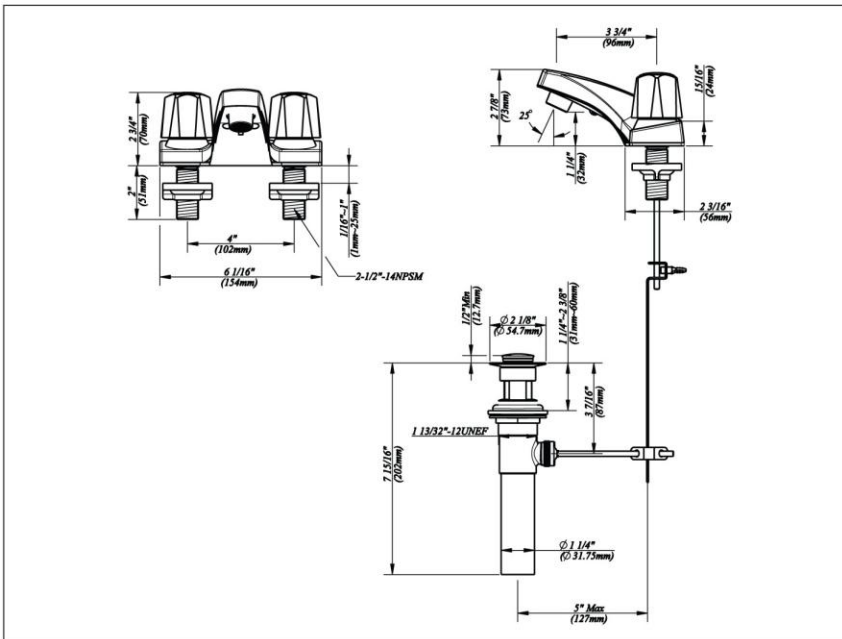
Product Spec Sheet

4" Two Handle Lavatory Faucet

No.	Name	Material
1.1	Index Button-Cold	Plastic
1.2	Index Button-Hot	Plastic
2	Metal Handle	Zinc Alloy
3	Retainer Nut & Washer	Brass & Plastic
4	Cartridge Assembly	Stainless Steel & Plastic
5	Seat & Spring Set	Stainless Steel & Plastic
6	Aerator	Brass & Plastic
7	Lock Nut Set	Plastic
8	Lift Rod	Brass
9	Pop-up Assembly	Brass



Product Spec Sheet



APPROVALS:
Meets or Exceeds The Following:

- * ANSI/ASME A112.18.1
- * ANSI/NSF 61 – Sec. 9
- * IAPMO/UPC
- * CA AB1953

CALIFORNIA: TEL: 866-532-8306 FAX: 866-532-8307
TEXAS: TEL: 800-935-5456 FAX: 800-683-4247
NEW YORK: TEL: 800-431-2082 FAX: 800-640-2252