

4" Single Handle Lavatory Faucet

Product Spec Sheet



FEATURES & BENEFITS

- This Product Contains Less Than 0.25% Weighted Average Lead Content On Wetted Surfaces
- Metal Lever Handle
- Stainless Steel Ball Valve
- Brass Pop-up
- Max Flow Rate 1.5 GPM(5.7 LPM) at 60 PSI (ASME.A112.18.1)

VE-500C
Chrome Finish

VE-500CL
Less Pop-up
Chrome Finish

Approvals:
Meets or Exceeds The Following:

- * ANSI/ASME A112.18.1
- * ANSI/NSF 61 – Sec. 9
- * IAPMO/UPC
- * CA AB1953



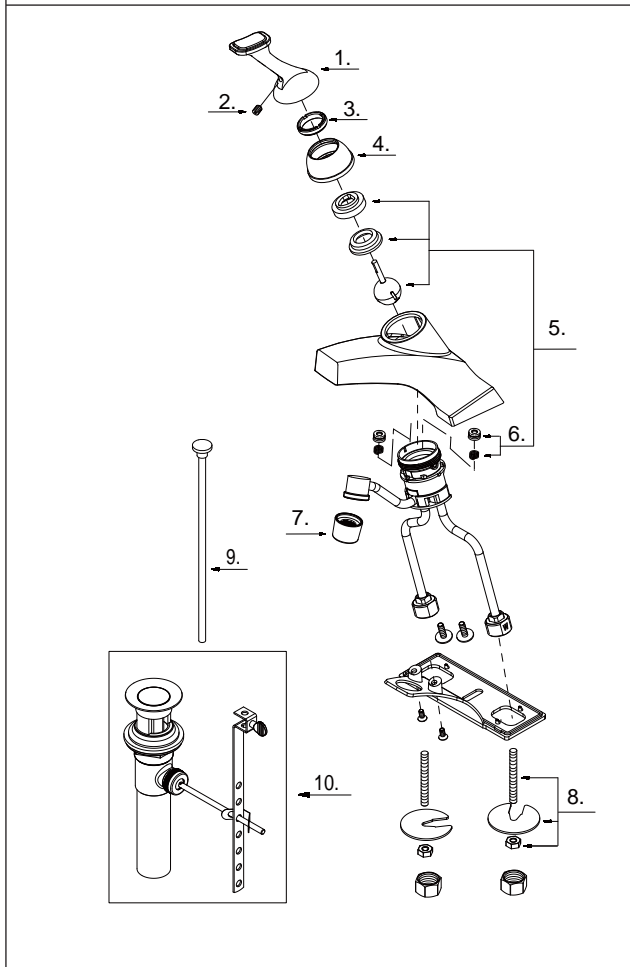
CALIFORNIA:
TEXAS:
NEW YORK:

TEL: 866-532-8306
TEL: 800-935-5456
TEL: 800-431-2082

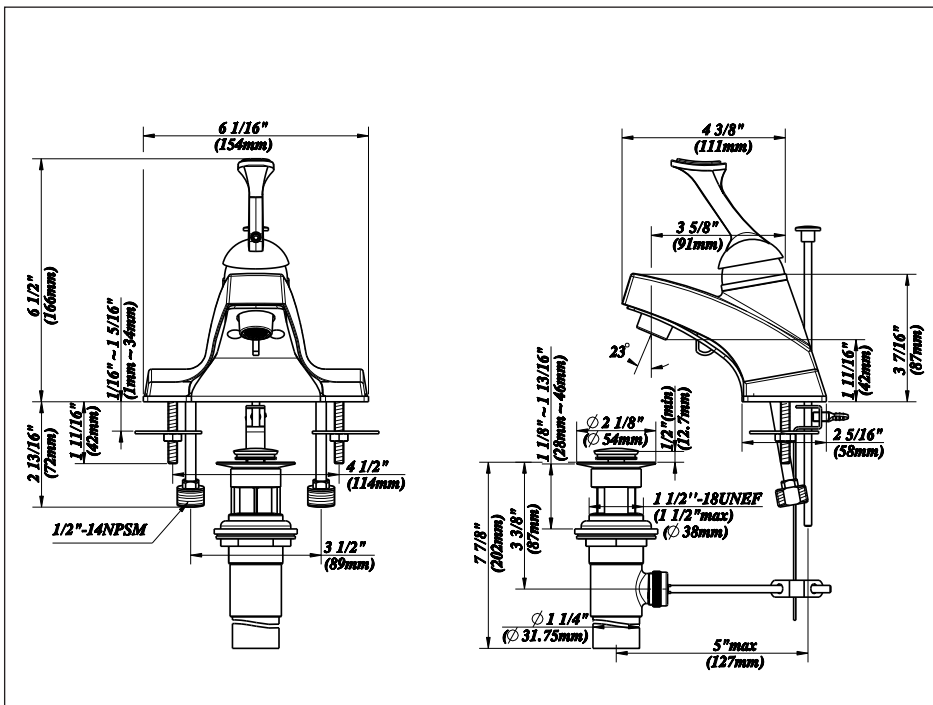
FAX: 866-532-8307
FAX: 800-683-4247
FAX: 800-640-2252

4" Single Handle Lavatory Faucet

No.	Name	Material
1	Metal Handle	Zinc Alloy
2	Screw (1/4" -28UNF * 5/16" L)	Stainless Steel
3	Locking Nut	Brass
4	Trim Cap	Zinc Alloy
5	Ball Valve Assembly	Stainless Steel & Plastic
6	Seat & Spring Set	Stainless Steel & Plastic
7	Aerator	Brass & Plastic
8	Mounting Hardware	Stainless Steel
9	Lift Rod	Brass
10	Pop-up Assembly	Brass



Product Spec Sheet



Approvals:
Meets or Exceeds The Following:

- * ANSI/ASME A112.18.1
- * ANSI/NSF 61 – Sec. 9
- * IAPMO/UPC
- * CA AB1953

CALIFORNIA: TEL: 866-532-8306 FAX: 866-532-8307
TEXAS: TEL: 800-935-5456 FAX: 800-683-4247
NEW YORK: TEL: 800-431-2082 FAX: 800-640-2252