



Buy it for looks. Buy it for life.®

# Specifications

## DESCRIPTION

- Chrome plated metal construction
- Pressure balancing cycle valve design with an adjustable temperature limit stop
- 1/2" IPS connections
- Includes valve, tub spout, showerhead, arm and flange
- Lever and optional knob handle included

## OPERATION

- Lever style handle
- Handle operates counterclockwise through a 270° arc with off at 6 o'clock and maximum hot at the 9 o'clock position. Shut off in clockwise direction
- Adjustable temperature limit stop to control maximum hot water temperature
- Pressure balancing mechanism maintains selected discharge temperature to ± 2°


## FLOW

- Showerhead is limited to 2.5 gpm (9.5 L/min)

## CARTRIDGE

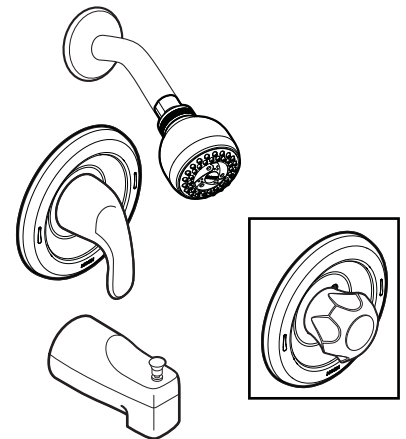
- 1222 cartridge design
- Nonmetallic/nonferrous and stainless steel materials
- Accommodates back to back installations

## STANDARDS

- Third party certified to meet CSA B-125.1, ASME A112.18.1M, ICC A117.1 and all applicable requirements referenced therein
- ADA  for lever handle

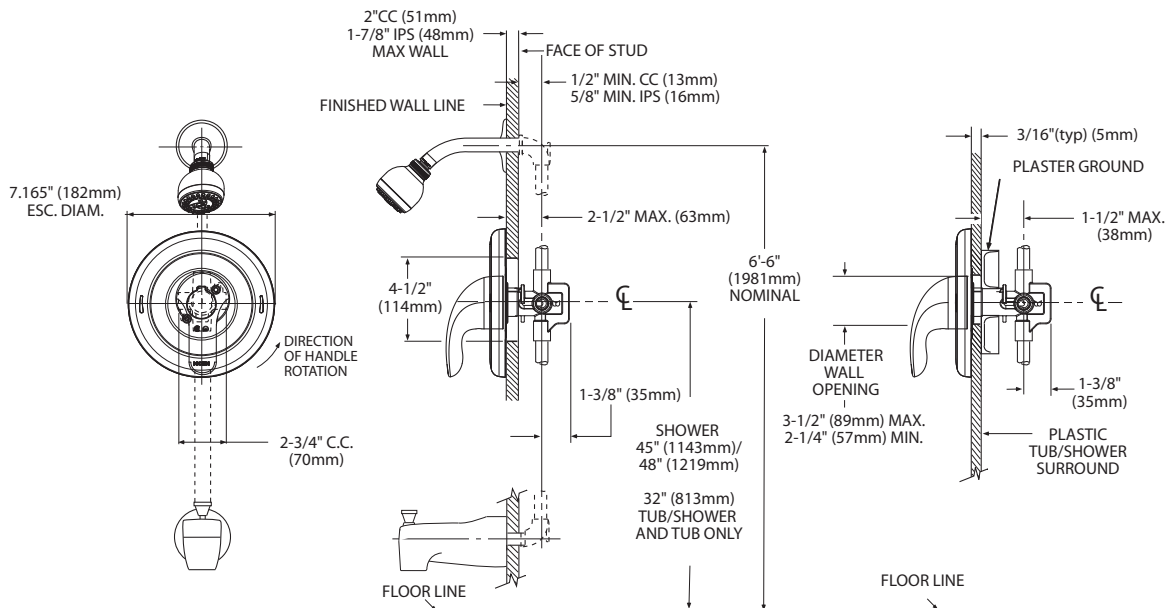
## WARRANTY

- Lifetime limited warranty against leaks, drips and finish defects to the original consumer purchaser
- 5 year warranty if used in commercial installations



## POSI-TEMP® Single-Handle Tub/Shower Valve

Models: L82691, L82694, L82839



## CRITICAL DIMENSIONS

(DO NOT SCALE)

FOR MORE INFORMATION CALL: 1-800-BUY-MOEN

www.moen.com



Buy it for looks. Buy it for life.®

# Illustrated Parts

■ Order by Part Number

POSI-TEMP® Single-Handle Tub/Shower Valve		
MODEL	TYPE	FINISH
L82694	Tub/Shower	Chrome
L82691	Shower Only	Chrome
L82839	Tub/Shower	Chrome
L82694CBN	Tub/Shower	Classic Brushed Nickel
L82691CBN	Shower Only	Classic Brushed Nickel

