

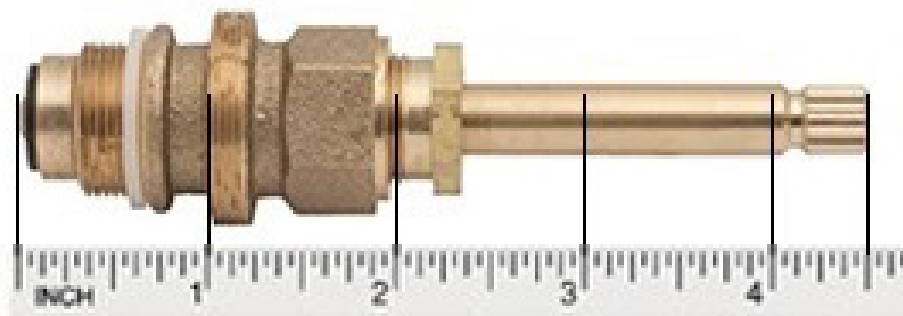
## TUB / SHOWER REPAIR

### Replacement Parts for Sterling - Starflo (Old Style)

#### Hot & Cold Stem :

- 4-1/2" OA length
- Replaces OEM# A8105

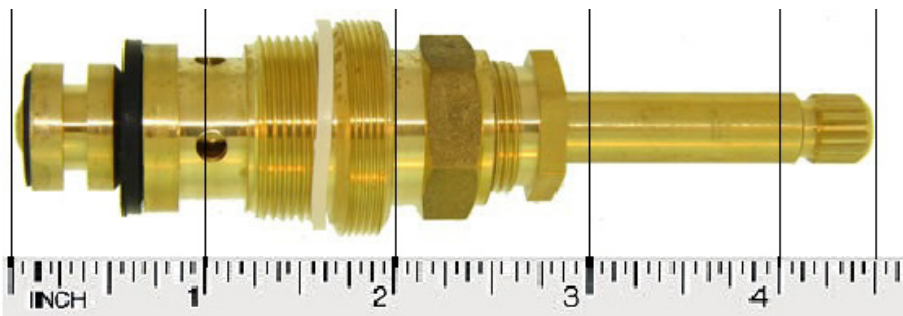
Item # **M91019**  
U/M - Each



#### Diverter Stem :

- 4-7/16" OA length
- Replaces OEM# A8106

Item # **M91021**  
U/M - Each



#### Bibb Seat :

- 1/2x24
- 3/8" Height
- **Sold in pack of 10 only**



Item # **M91020**  
U/M - Pack

#### Diverter Handle :

- Includes screw
- Chrome finish
- 1-1/4" height
- Sold per each



Item # **M90971**  
U/M - Each

#### Hot & Cold Handles :

- Includes screws
- Chrome finish
- 1-1/4" height
- Sold per pair only



Item # **M90972**  
U/M - Pair

#### Sleeve :

- Diverter sleeve dimensions;  
2-1/4" OA length x 1-1/4" OA diameter
- Hot & Cold sleeve dimensions;  
2-1/2" OA length x 1-1/4" OA diameter
- Chrome finish



Item #	U/M	Fits	Length
<b>M91015</b>	Each	Hot & Cold	2-1/2"
<b>M91016</b>	Each	Diverter	2-1/4"

#### Escutcheon :

- 2-3/4" OA Diameter
- 1-1/4" Inside Diameter
- 3/8" thickness
- Chrome finish



Item # **M91022**  
U/M - Each

#### Bibb Washer :

- Size: "1/4L" Flat
- 100 washers per box



Item # **M90592**  
U/M - Box

