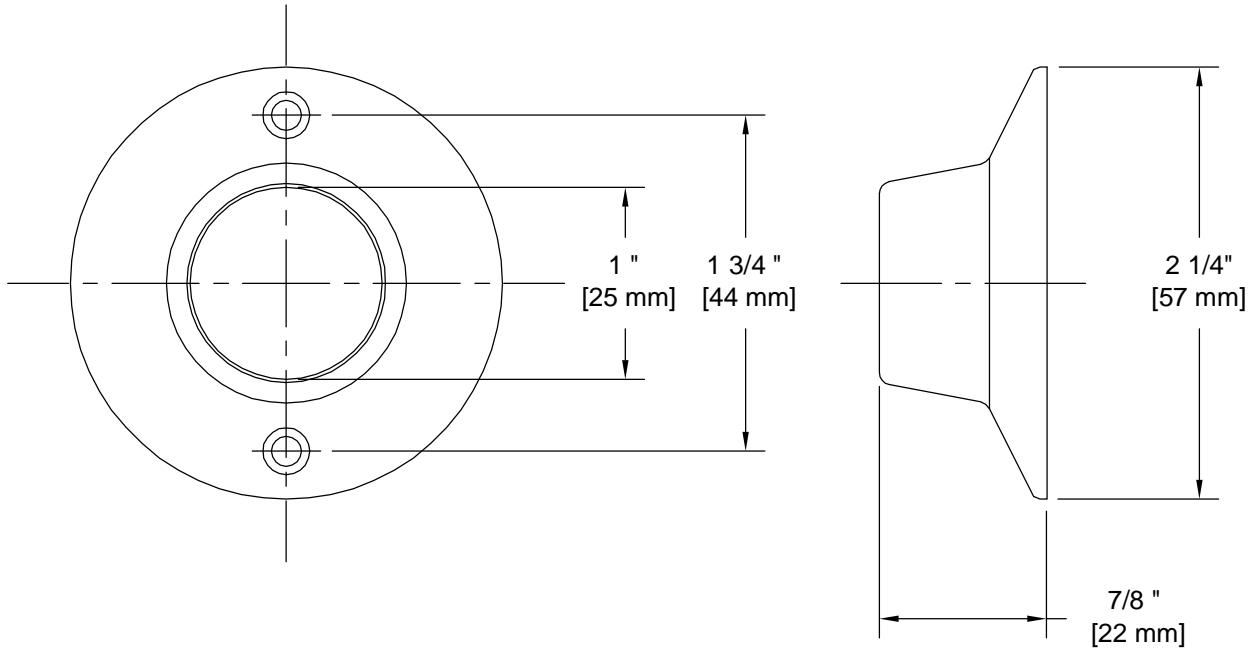


PRODUCT DATA SHEET

Product Description: Shower rod flanges with a US15 satin nickel finish. Shower rod flange is fabricated from zinc. Accepts 1" outside diameter shower curtain rods. Mounting hardware included.



Overall Size: 2 1/4" W X 2 1/4" H X 7/8" D

Material: Zinc

Finish: US15 Satin Nickel

Cross Reference

Manufacturer	Part Number



Description:

Shower Rod Flanges, Zinc

Part Number:

53370

Date

04/19

Rev.

00

Sheet 1 of 1