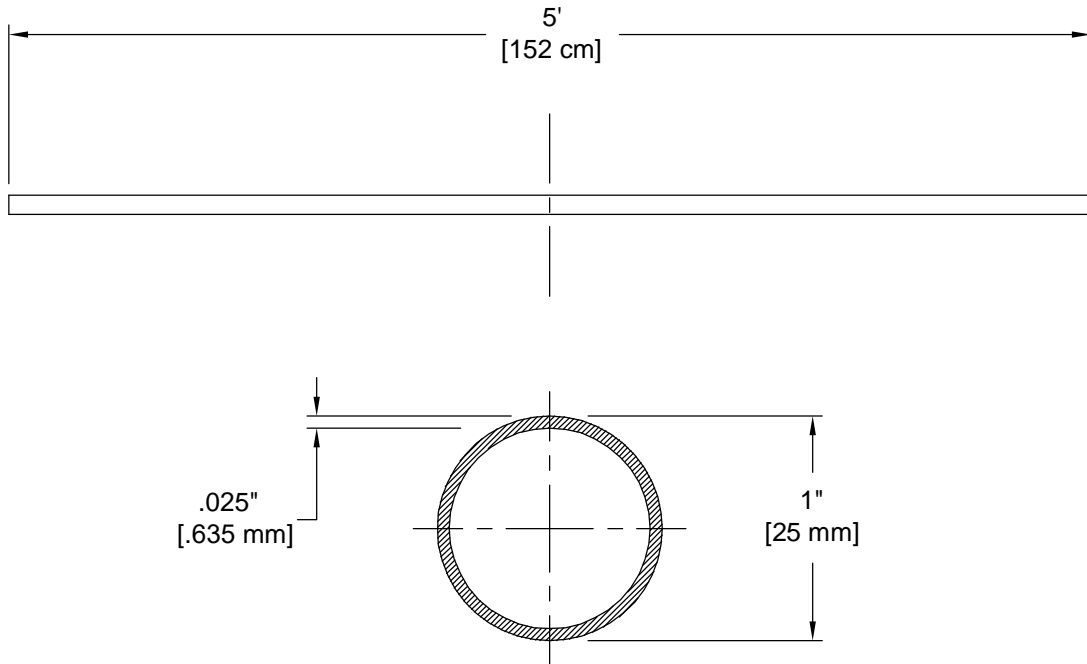


PRODUCT DATA SHEET

Product Description: Straight 201 grade stainless steel shower curtain rod. 5' long x 1" diameter x .025" wall thickness (22-gauge) in a US32D satin stainless steel finish with welded seam.



Overall Size: 5' W X 1" H X 1" D

Material: 201 Grade Stainless Steel

Finish: US32D Satin Stainless Steel

Cross Reference

Manufacturer	Part Number



Description:
Straight Shower Rod, Stainless Steel, .025" X 1" X 5'

Part Number:
51471

Date 04/19	Rev. 00
---------------	------------