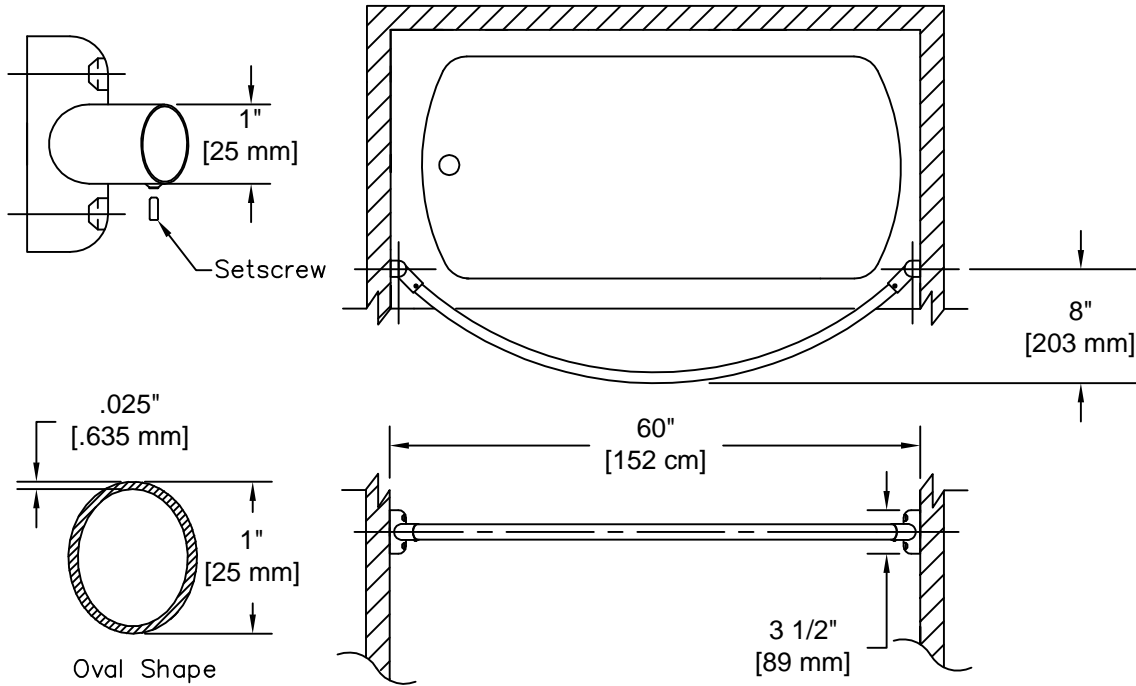


PRODUCT DATA SHEET

Product Description: Patented Shower Space curved shower rod with a US32D brushed stainless steel finish. Shower rod is fabricated from 304 grade stainless steel and flanges are die cast zinc. Rod is a 1+ diameter oval shape. Space enhancing curved shower rod assembly is used for standard or oval 5 foot tubs and adjusts from 58+ to 61+. Fits a standard size curtain. Mounting hardware for both drywall and tile installation included.



WITH MOUNTING HARDWARE **304 STAINLESS**

Overall Size: 60" W X 3 1/2" H X 8" D

Material: Zinc Flanges, 304 Grade Stainless Steel Rod

Finish: US32D Brushed Stainless Steel

Cross Reference

Manufacturer	Part Number



Description:

**Curved Shower Rod,
Stainless Steel, 5'**

Part Number:

5146608

Date

06/10

Rev.

05

Sheet 1 of 1