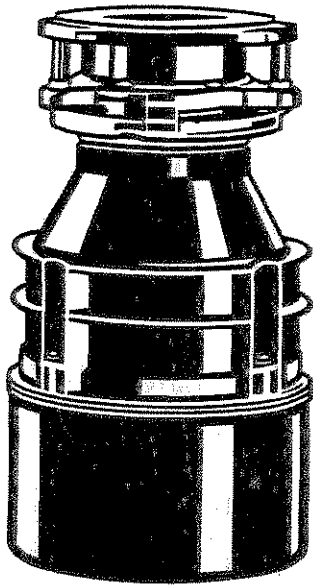
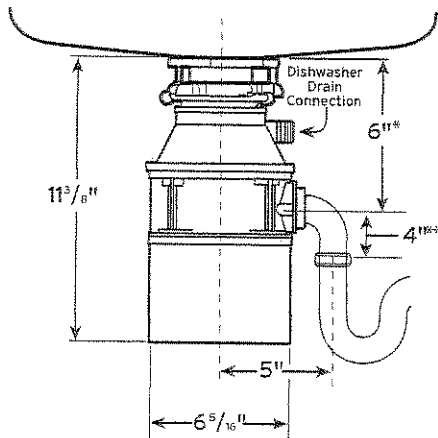


FWD-2

1/2 Horsepower Food Waste Disposer



Dimensions



* Distance from bottom of sink to center line of disposer outlet.
Add 1/2" when stainless steel sinks are used.

*** Length of tailpipe from center line of disposer outlet to end of tailpipe.

NOTE: Plumb waste line to prevent standing water in disposer motor housing.

Submittal Sheet

- 1-year limited warranty*
- Plastic grind chamber
- Galvanized steel grinding elements with two stainless steel 360° swivel lugs
- Stainless steel sink flange with positive seal 1-piece plastic stopper
- Overload protector manual reset
- Permanently lubricated upper and lower bearings
- Quick Lock® mounting for fast, easy installation
- Exclusive cushioned anti-splash baffle
- Dishwasher drain connection

Sample Specification

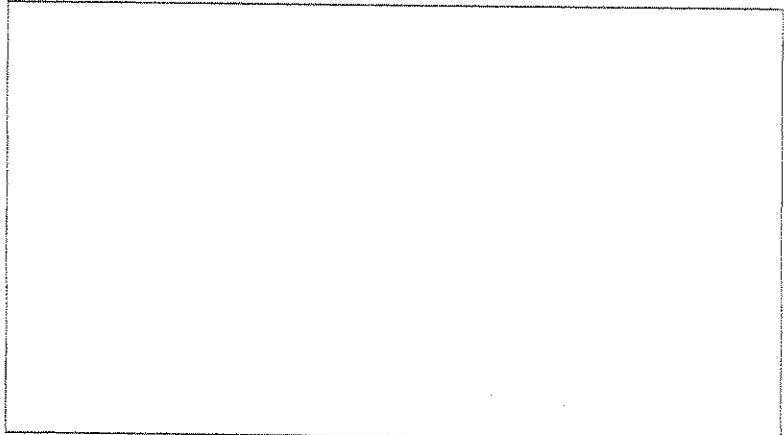
Food Waste Disposer(s) shall be FWD-2, continuous feed, with 1/2 H.P. motor, galvanized steel grinding elements with two stainless steel 360° swivel lugs. Warranty - 1-year limited.

* The complete FWD warranty is included in the Care & Use Booklet packed with each unit.

Specifications

Type of Feed	Continuous
On/Off Control	Wall Switch
Motor	Single Phase
HP	1/2
Volts	120
HZ	60
RPM	1725
Amp. (Avg. Load)	6.7
Time Rating	Intermittent
Lubrication	Permanently Lubricated Upper & Lower Bearings
Shipping Weight (Approx.)	13 lbs. 8 oz.
Unit Finish	Waterborne Brown Enamel
Overall Height	11-3/8"
Grind Chamber Capacity	26 oz.
Motor Protection	Manual Reset Overload
Average Water Usage	1/4 Gallon Per Person Per Day
Average Electrical Usage	1/2 KWH per Month
Drain Connection	1-1/2" Cushioned Slip Joint
Dishwasher Drain Connection	Yes
Factory installed Power Cord	Yes

Job Specifications



H670-09A-64-10

Printed in U.S.A.

© 2009 InSinkErator, InSinkErator is a division of Emerson Electric Co. All Rights Reserved.